



Disconnect not included



Application

These Hoffman Type I Large Disconnect Enclosures are general purpose cabinets for protecting electrical control equipment in applications that do not require extensive environmental protection. Typical applications include:

- PLC and main control
- Variable Frequency Drives (VFDs)
- Power distribution

They are designed to house the following flange-mounted disconnect switches and circuit breakers:

◆ Allen-Bradley

- Bulletin 1494F flange-mounted disconnect switches and Bulletin 1494D flange-mounted operators for circuit breakers.
- Allen-Bradley Bulletin 1494V variable depth flange-operated disconnect switches and circuit breaker mechanisms.
- Bulletin 140U flexible cable operating mechanisms for 140U molded case circuit breakers.

- ◆ **ABB Controls** flange-mounted variable-depth operating mechanisms for disconnect switches and circuit breakers. Also the cable version for circuit breakers.

- ◆ **Cutler-Hammer/Westinghouse** Type C36I disconnect switches and operator mechanisms. Cutler-Hammer Type C37I circuit breaker operating mechanisms. Also Type SM safety handle mechanisms and Flex Shaft™ handle operators for circuit breakers.

- ◆ **General Electric** Type STDA flange handles and variable depth operating mechanisms for disconnect switches and circuit breakers. Also Spectra Flex™ cable operators for circuit breakers.

- ◆ **Siemens ITE Max-Flex™** flange-mounted variable depth operating handles for disconnect switches and circuit breakers.

- ◆ **Square D** disconnect switches and circuit breakers used with Class 9422 flange-mounted variable-depth operating mechanisms or cable mechanisms.

These enclosures will not accept Class 9422 bracket-mounted disconnect devices or Class 9422TG1 or TG2 devices.

Construction

- 14 gauge steel body and door; 12 gauge back covers
- 4 in. high 10 gauge steel integral lifting base
- Preferred disconnect cutout
- Heights from 60 in. to 84 in. Usable height inside cabinet 4 in. less than nominal height.
- Sturdy 7 gauge lifting tabs
- Flush doors
- 3 point latch with heavy-duty handle
- Screwdriver defeater in handle on master door
- Padlock provision in handle
- Predrilled holes in lifting base provide bolt-down capability
- Bonding provision on each door

- Studs included for mounting optional panels on threaded bolts
- Optional rack angles mount to top and bottom of front flanges

Finish

RAL 7035 light gray polyester powder paint inside and outside. Optional panels are white. Rack angles have G90 galvanized finish.

Industry Standards

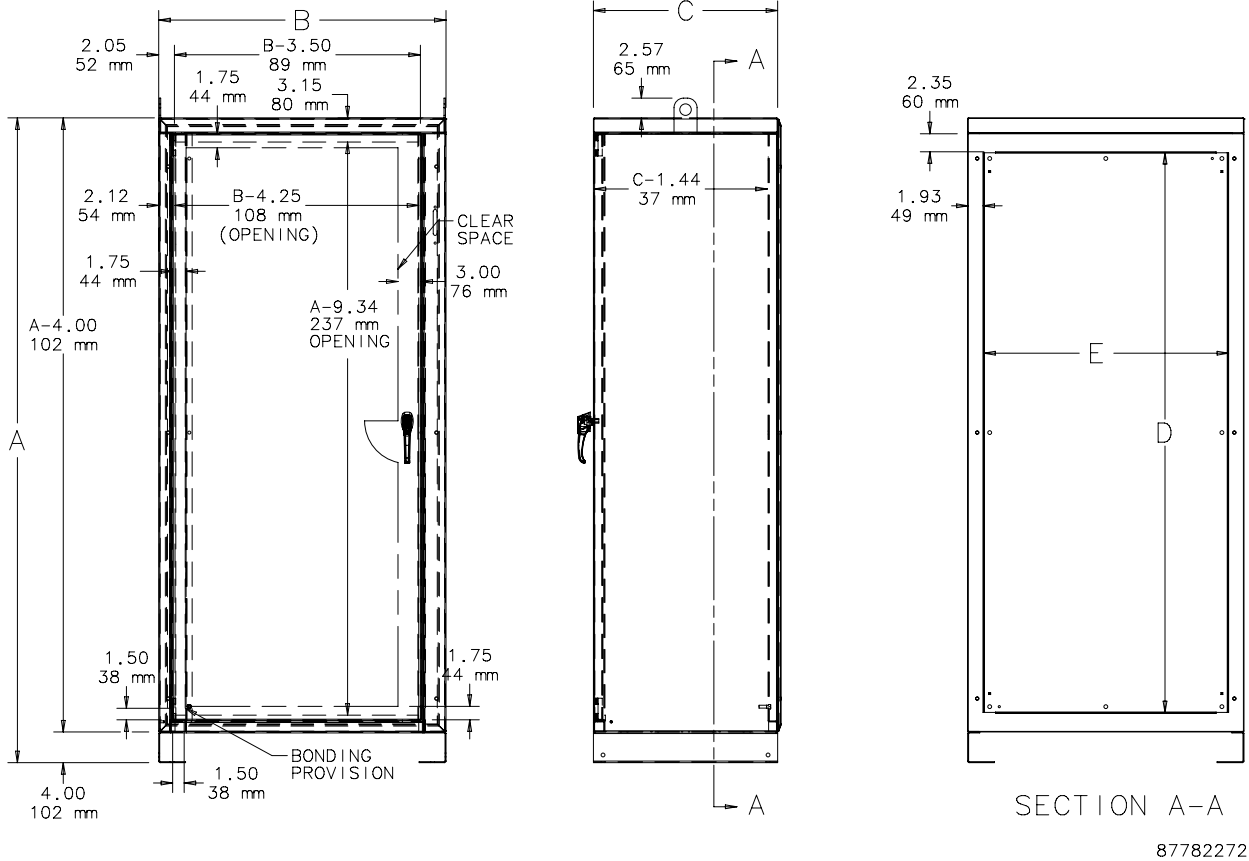
UL508A, File No. E61997: Type I
NEMA/EEMAC Type I
cUL File No. E61997: Type I
IEC 60529 IP30

Accessories

Can be used with most 19 and 23 in. rack accessories. See the Specifier's Guide, Chapter 12, General Accessories

Rack Mounted Drawers
Rack Mounted Shelf
Rack Panels
Rack Angles
Blower Package
Electric Heaters
Fan Cooling Products
Folding Shelf
Panels (see tables, pages 2 and 3)
Rack Angles (see table, page 4)
Touch-up Paint
Window Kit
Wiring Duct

Free-Standing Type I Large Disconnect Enclosures



87782272

Modification Services Program

You can customize this product to your unique requirements by specifying from these options:

- Change enclosure height, width, depth
- Over 100 standard finish colors and textures
- Add holes and cutouts in body, doors and subpanels
- Tapped holes, fasteners, in enclosure or subpanel

- Door modifications
- Subpanel modifications
- Structural changes
- Environmental control additions
- Windows installed
- Standard accessories added

For details, see Modification Services at www.hoffmanonline.com.

To order, contact your local Hoffman sales representative.

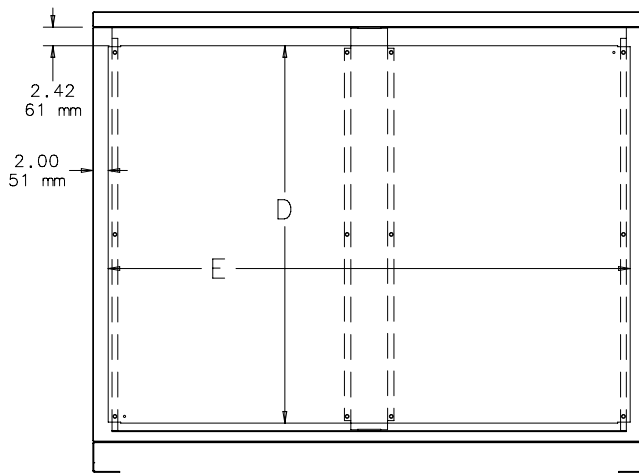
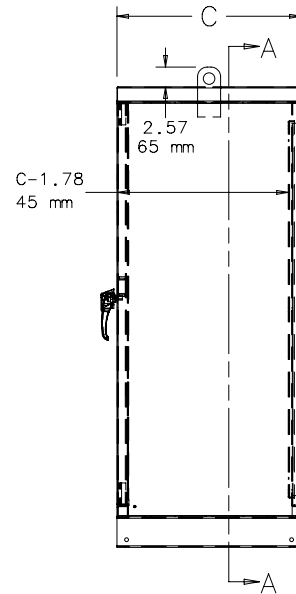
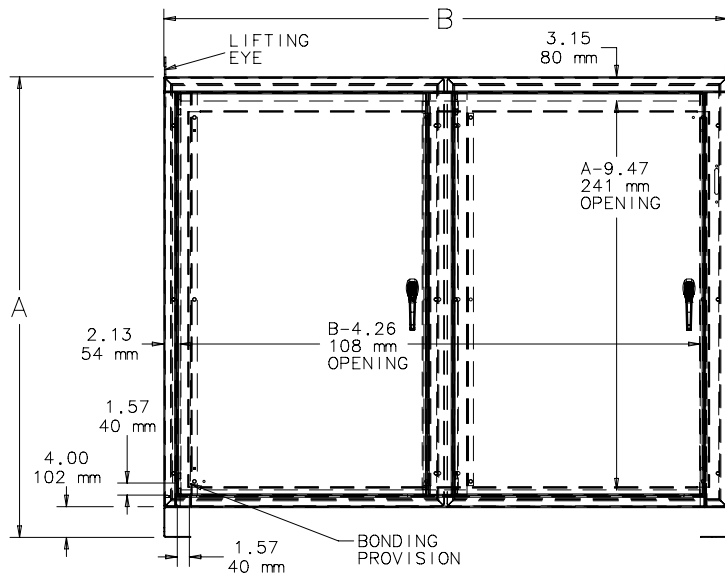
NOTE: For information about modifications outside the scope of the Modification Services program, contact your Hoffman sales representative.

Standard Sizes Free-Standing Type I Large Single-Door Disconnect Enclosures

Catalog Number	Enclosure Size				C	Panel Catalog Number	Panel Size				
	A	B	B	B			D	E	E	E	
	in.	mm	in.	mm	in.	mm	in.	mm	in.	mm	
A60XN2712FSLP	60.00	1524	27.00	686	12.00	305	A49P21N	49.16	1249	21.50	546
A60XN2718FSLP	60.00	1524	27.00	686	18.00	457	A49P21N	49.16	1249	21.50	546
A60XN2724FSLP	60.00	1524	27.00	668	24.00	610	A49P21N	49.16	1249	21.50	546
A60XN3718FSLP	60.00	1524	37.50	953	18.00	457	A49P32N	49.16	1249	32.00	813
A72XN2718FSLP	72.00	1829	27.00	686	18.00	457	A61P21N	61.16	1553	21.50	546
A72XN3718FSLP	72.00	1829	37.50	953	18.00	457	A61P32N	61.16	1553	32.00	813
A72XN3724FSLP	72.00	1829	37.50	953	24.00	610	A61P32N	61.16	1553	32.00	813
A84XN2718FSLP	84.00	2134	27.00	686	18.00	457	A73P21N	73.16	1858	21.50	546
A84XN3724FSLP	84.00	2134	37.50	953	24.00	610	A73P32N	73.16	1858	32.00	813

Free-Standing Type I Large Disconnect Enclosures

Bulletin
A38D



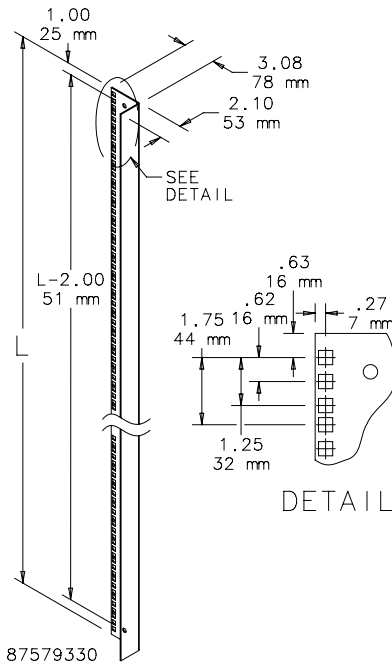
SECTION A-A

87782273

Standard Sizes Free-Standing Type I Large Two-Door Disconnect Enclosures

Catalog Number	Enclosure Size				C	Panel Catalog Number	Panel Size				
	A	B	C	D			E				
	in.	mm	in.	mm	in.	mm	in.	mm	in.	mm	
A60XN5312FSLP	60.00	1524	53.50	1359	12.00	305	A49P48N	49.16	1249	48.00	1219
A60XN5318FSLP	60.00	1524	53.50	1359	18.00	457	A49P48N	49.16	1249	48.00	1219
A60XN5324F SLP	60.00	1524	53.50	1359	24.00	610	A49P48N	49.16	1249	48.00	1219
A60XN7324FSLP	60.00	1524	73.50	1867	24.00	610	A49P68N	49.16	1249	68.00	1727
A72XN7318FSLP	72.00	1829	73.50	1867	18.00	457	A61P68N	61.16	1553	68.00	1727
A72XN7324FSLP	72.00	1829	73.50	1867	24.00	610	A61P68N	61.16	1553	68.00	1727
A84XN7318FSLP	84.00	2134	73.50	1867	18.00	457	A73P68N	73.16	1858	68.00	1727
A84XN7324FSLP	84.00	2134	73.50	1867	24.00	610	A73P68N	73.16	1858	68.00	1727

Free-Standing Type I Large Disconnect Enclosures



Rack Angles

Use to install 19 in. wide equipment in 25.5 in. wide enclosures and 23 in. wide equipment in 36 in. wide enclosures. Order two sets for 52 and 72 in. wide two-door enclosures. Galvanized 14 gauge steel with square holes spaced to meet EIA 310-D standards. Mount to factory-drilled holes in top and bottom of front flange. Purchase clip nuts, catalog number AN1032, separately for component mounting.

Catalog Number	L in.	mm	Kit Qty.
ARA4819THG	41.63	1057	2
ARA6019THG	53.63	1362	2
ARA7219THG	65.63	1667	2
ARA8419THG	77.63	1972	2

Gasket Kits

Apply self-adhesive strip gaskets for gasketed NEMA 1 solution. Each kit includes sufficient gasket for any single- or two-door enclosure. Choose kit by number of doors.

Catalog Number	Description
A38GSKT	For single-door enclosures
A38GSKT2	For two-door enclosures