

# Quick Tray Wire Mesh Cable Tray



## Finish

Zinc-coated steel

## Industry Standards

UL Classified

## Accessories

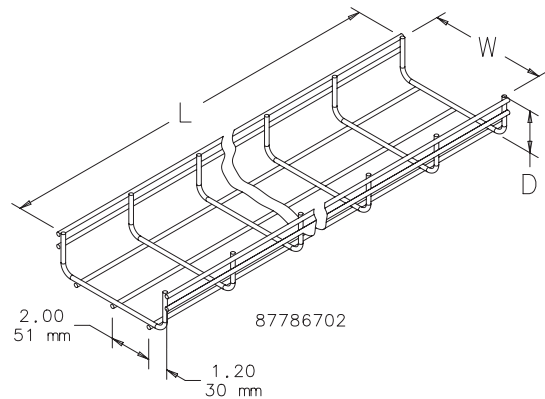
- Splicing Hardware
- Wall Mounting Hardware
- Overhead Mounting Hardware
- Under-Floor Mounting Hardware
- Quick Hanging Accessory for C and L Shaped Brackets
- Divider Strips
- Cable Dropout
- Wall Termination Bracket
- Bolt Cutter
- Fastener Packages

## Application

Quick Tray supports and routes cable. It is constructed from high strength, zinc-coated steel wires designed to support a large volume of cables. Straight tray sections are easily formed at the job site to precisely fit installation requirements. Unique mesh design makes cable drop-in and drop-out easy.

## Construction

- Provided in 10-ft. (3m) lengths that can be cut and formed to fit any desired configuration
- Available in 2 in. (51mm) and 4 in. (102mm) depths
- Available in widths from 2 in. (51mm) to 24 in. (610mm)
- Made of high strength zinc coated steel wires
- Large 2 x 4 in. (51 x 102mm) mesh opening allows cable installers to route cables in and out at any point without cutting the tray



MODEL CODE	CATALOG NUMBER	TRAY CONFIGURATION	D	W
13943	QT2X2		2"	2"
13944	QT2X4		2"	4"
13945	QT2X6		2"	6"
13946	QT2X8		2"	8"
13948	QT2X12		2"	12"
13951	QT2X16		2"	16"
13952	QT2X18		2"	18"
13953	QT2X20		2"	20"
13954	QT2X24		2"	24"
13955	QT4X4		4"	4"
13956	QT4X8		4"	8"
13957	QT4X12		4"	12"
13958	QT4X16		4"	16"
13961	QT4X18		4"	18"
13962	QT4X20		4"	20"
13963	QT4X24		4"	24"

87785981

## Standard Sizes Quick Tray Wire Mesh Cable Tray

Catalog Number	D in.	mm	W in.	mm
QT2X2	2	51	2	51
QT2X4	2	51	4	102
QT2X6	2	51	6	152
QT2X8	2	51	8	203
QT2X12	2	51	12	305
QT2X16	2	51	16	406
QT2X18	2	51	18	457
QT2X20	2	51	20	508
QT2X24	2	51	24	610
QT4X4	4	102	4	102
QT4X8	4	102	8	203
QT4X12	4	102	12	305
QT4X18	4	102	18	457
QT4X24	4	102	24	610
QT4X16	4	102	16	406
QT4X20	4	102	20	508