

CONCEPT[®] Operator Interface Enclosures



Application

CONCEPT Operator Interface Enclosures are appropriate for applications incorporating flat-screen OI devices, pushbuttons, lights, meters, gauges, and other similar devices. Enclosures are designed to be pendant- or pedestal-mounted.

Features

- Pre-drilled hole in top for mounting using a Series 2 or Series 4 50/60 pendant arm
- Pedestal mounting when enclosure is inverted
- Integral handle extrusions have a comfort grip that extends the length of the profile
- Hinged rear door has a single-point latch and seamless foam-in-place gasket
- Four accessory colors for integrated handles match the most popular operator interface color schemes



Construction

- Body manufactured from 14 gauge steel
- Front plate is .125-inch aluminum

Finish

Enclosure body and front plate are finished with RAL 7035 light gray polyester powder paint. Handle extrusions and end caps are finished with RAL 9005 black polyester powder paint.

Industry Standards

UL 508A, 508, File Number E61997: Type 4 and Type 12
NEMA Type 4 and Type 12
CSA File Number LR42186: Type 4 and Type 12
IEC 60529, IP66

Accessories

See Chapter 12, General Accessories, in the Specifier's Guide

Corrosion Inhibitors
Data Pockets
Electric Heaters
Fan Cooling Products
Touch-Up Paint (ATP7035)

Modification Services Program

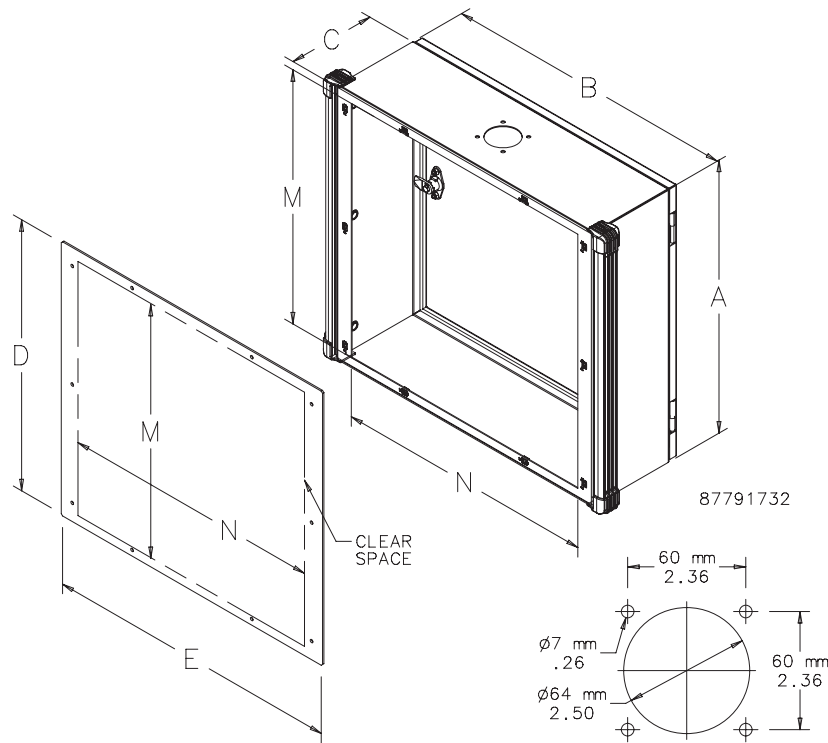
You can customize this product to your unique requirements by specifying from these options:

- Over 100 standard finish colors and textures
- Holes and cutouts in body and doors
- Standard accessories installed by Hoffman

For details, see Modification Services at hoffmanonline.com. To order, contact your local Hoffman sales representative.

NOTE: For information about modifications outside the scope of the Modification Services program, contact your Hoffman sales representative.

CONCEPT[®] Operator Interface Enclosures



Standard Sizes CONCEPT[®] Operator Interface Enclosures

Catalog Number	Enclosure Size A		Enclosure Size B		Enclosure Size C		Front Opening M		Front Opening N		Front Plate D		Enclosure Size E		Weight
	mm	in.	mm	in.	mm	in.	mm	in.	mm	in.	mm	in.	mm	in.	
CP253512	250	9.84	350	13.78	120	4.72	210	8.27	280	11.02	250	9.86	361	14.22	10.5 lb
CP304012	300	11.81	400	15.75	120	4.72	260	10.24	330	12.99	330	11.83	411	16.19	14.9 lb
CP323512	325	12.80	350	13.78	120	4.72	285	11.22	280	11.02	325	12.81	361	14.22	16.5 lb
CP354512	350	13.78	450	17.72	120	4.72	310	12.20	380	14.96	350	13.79	461	18.16	20.0 lb
CP354518	350	13.78	450	17.72	180	7.09	310	12.20	380	14.96	350	13.79	461	18.16	22.3 lb
CP354530	350	13.78	450	17.72	300	11.81	310	12.20	380	14.96	350	13.79	461	18.16	26.9 lb
CP374012	375	14.76	400	15.75	120	4.72	335	13.19	330	12.99	375	14.78	411	16.19	20.0 lb
CP405012	400	15.75	500	19.68	120	4.72	360	14.17	430	16.93	400	15.76	511	20.13	24.3 lb
CP405018	400	15.75	500	19.68	180	7.09	360	14.17	430	16.93	400	15.76	511	20.13	26.5 lb
CP405030	400	15.75	500	19.68	300	11.81	360	14.17	430	16.93	400	15.76	511	20.13	30.9 lb
CP424512	425	16.73	450	17.72	120	4.72	385	15.16	380	14.96	425	16.75	461	18.16	23.9 lb
CP424518	425	16.73	450	17.72	180	7.09	385	15.16	380	14.96	425	16.75	461	18.16	25.8 lb
CP424530	425	16.73	450	17.72	300	11.81	385	15.16	380	14.96	425	16.75	461	18.16	30.2 lb
CP455512	450	17.72	550	21.65	120	4.72	410	16.14	480	18.90	450	17.73	561	22.10	28.6 lb
CP455518	450	17.72	550	21.65	180	7.09	410	16.14	480	18.90	450	17.73	561	22.10	31.0 lb
CP455530	450	17.72	550	21.65	300	11.81	410	16.14	480	18.90	450	17.73	561	22.10	35.8 lb
CP475012	475	18.70	500	19.68	120	4.72	435	17.13	430	16.93	475	18.72	511	20.13	28.0 lb
CP475018	475	18.70	500	19.68	180	7.09	435	17.13	430	16.93	475	18.72	511	20.13	30.2 lb
CP475030	475	18.70	500	19.68	300	11.81	435	17.13	430	16.93	475	18.72	511	20.13	34.6 lb
CP486012	480	18.90	600	23.62	120	4.72	440	17.32	530	20.87	480	18.91	611	24.06	32.2 lb
CP486018	480	18.90	600	23.62	180	7.09	440	17.32	530	20.87	480	18.91	611	24.06	34.6 lb
CP486030	480	18.90	600	23.62	300	11.81	440	17.32	530	20.87	480	18.91	611	24.06	39.4 lb
CP525512	525	20.67	550	21.65	120	4.72	485	19.09	480	18.90	525	20.68	561	22.10	32.5 lb
CP525518	525	20.67	550	21.65	180	7.09	485	19.09	480	18.90	525	20.68	561	22.10	34.9 lb
CP525530	525	20.67	550	21.65	300	11.81	485	19.09	480	18.90	525	20.68	561	22.10	39.7 lb
CP556012	555	21.85	600	23.62	120	4.72	515	20.28	530	20.87	555	21.86	611	24.06	36.8 lb
CP556018	555	21.85	600	23.62	180	7.09	515	20.28	530	20.87	555	21.86	611	24.06	38.8 lb
CP556030	555	21.85	600	23.62	300	11.81	515	20.28	530	20.87	555	21.86	611	24.06	43.6 lb

Accent Colors



Four accent colors are offered for the integral handle extrusions and end caps. Blue, purple, red, and turquoise are available. To order the color of your choice, add the first letter of the color (B, P, R, or T) to the end of any enclosure catalog number.

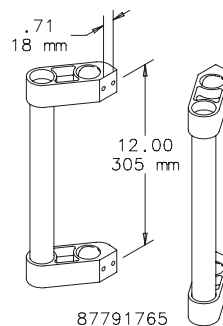
Accessories

Accessory Handle Kit

Handles can be installed on the integral handle extrusions or the bottom of the enclosure. Handle length is 13.40 inches and can be cut down to fit smaller enclosure sizes. Aluminum tube is finished with RAL 9005 black polyester powder. Plastic ends are RAL 9005 black. Kit includes one pair of handles and all mounting hardware.



Catalog Number	Description	Weight
CHDLK	One pair of handles and mounting hardware	1.7 lb

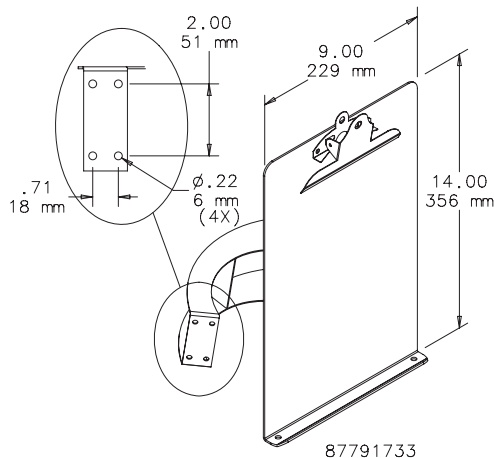


Clipboard/White Board



The clipboard/white board can be installed on either handle extrusion. All mounting hardware and installation instructions are included. Finished with white paint. Dry erase markers can be used on the front writing surface.

Catalog Number	Description	Weight
CCLPBRD	Clipboard and mounting hardware	2 lb

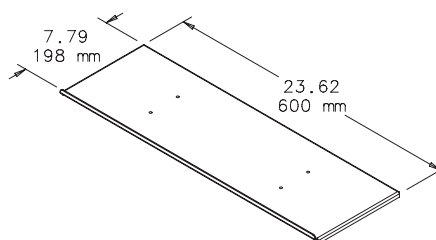


Keyboard Tray



The keyboard tray is designed for mounting under the enclosure. All mounting hardware is included. The tray is finished with RAL 7035 light gray polyester powder paint.

Catalog Number	Description	Weight
CKBT	Keyboard tray and mounting hardware	3.2 lb



87791735

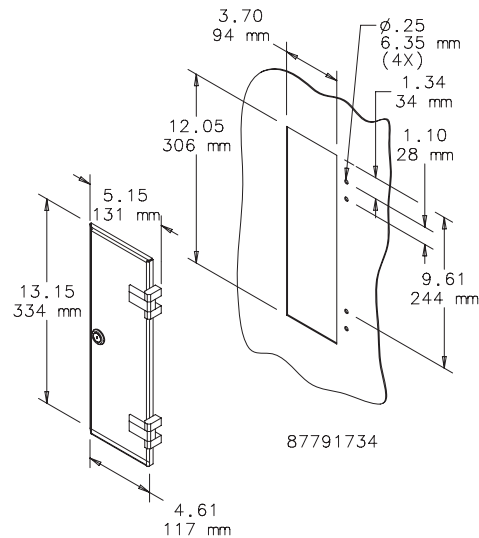
Accessories (Cont.)

Drive Access Door



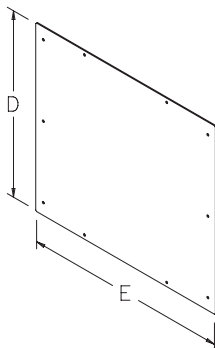
Drive door can be installed only on 180mm enclosures to access internal disk drives. Key-locking latch is included. An installation template is included in the installation instructions. All installation hardware is included. Finished with RAL 7035 light gray polyester powder paint. Hinges are finished with RAL 9005 black polyester powder paint.

Catalog Number	Description	Weight
CDACDR	Door and installation hardware	1.7 lb



Replacement Front Plate

Aluminum plate is .125 inch thick. Finish is RAL 7035 light gray polyester paint. Mounting hardware is included.



Catalog Number	D mm	D in.	E mm	E in.	Fits Enclosure A x B (mm)	A x B (in.)	Weight
CPFP2535	250	9.84	361	14.22	250 x 350	9.84 13.78	1.7 lb
CPFP3040	300	11.81	411	16.19	300 x 400	11.81 15.75	2.4 lb
CPFP3235	325	12.80	361	14.22	325 x 350	12.80 13.78	2.3 lb
CPFP3545	350	13.78	461	18.16	350 x 450	13.78 17.72	3.1 lb
CPFP3740	375	14.76	411	16.19	375 x 400	14.76 15.75	3.0 lb
CPFP4050	400	15.75	511	20.13	400 x 500	15.75 19.68	3.9 lb
CPFP4245	425	16.73	461	18.16	425 x 450	16.73 17.72	3.8 lb
CPFP4555	450	17.72	561	22.10	450 x 550	17.72 21.65	4.8 lb
CPFP4750	475	18.70	511	20.13	475 x 500	18.70 19.68	4.7 lb
CPFP4860	480	18.90	611	24.06	480 x 600	18.90 23.62	5.6 lb
CPFP5255	525	20.67	561	22.10	525 x 550	20.67 21.65	5.6 lb
CPFP5560	555	21.85	611	24.06	555 x 600	21.85 23.62	6.5 lb

Support Bracket

Support bracket provides extra rigidity in 180mm-deep enclosures that are either pendant- or pedestal-mounted. The bracket mounts in the top or bottom of the enclosure; drilling is required (drill points included on enclosure). The support bracket is not required for 120mm-deep enclosures.

Catalog Number	Description	Weight
CSB180	One bracket per package	1.8 lb

