

ProTek™ DH Type 4 or 12 Double-Hinged Wall-Mount Cabinet



Application

This double-hinged wall-mounted cabinet is ideal for protecting 19 in. network equipment from falling dirt, splashing water, dust, and other contaminants. This versatile cabinet mounts to a wall or can be pole mounted with optional pole mounting kit. Designed to hold multiple pieces of voice/data equipment comfortably, it can be mounted to be left or right hinged and comes completely assembled and ready to mount. Both solid door and safety glass window door models are plenum rated.

Features

- Type 12 cabinets available with solid or window doors and have a locking wing knob with two keys. They provide security and convenience in indoor applications.
- Type 4 cabinets have solid doors and a padlock-capable ¼-turn latch. They provide easy operation and locking options in indoor and outdoor applications.
- Solid door provides complete physical and visual protection
- Window door, made with scratch resistant safety glass, allows equipment monitoring without opening the door to minimize contamination
- Double-hinged for easy equipment access
- Front access to center body hinging and back section latches
- Exclusive toolless self-fastening latch is easy to open, yet automatically closes securely
- Latch on front of door eliminates need to access sides to open door or back section latches
- Latch-free sides permit side of cabinet to be installed flush with wall
- Fully welded and ground body and door construction for long-term good appearance and durability
- Foam-in-place seamless gasket around door seals against outdoor air infiltration; is non-absorbing and chemical resistant
- One set of adjustable tapped rack angles included
- Optional square hole rack angles available for equipment mounting flexibility
- Rack angles are plated and are self grounding for durability and safety
- Collar studs provided on back of cabinet for mounting accessory panels
- Accessory panels for mounting additional accessories at the back of the cabinet include tie down points and predrilled holes
- Plenum rated for use in air exchange areas
- Available modifications include paint colors, holes and cutouts, and custom sizes

Construction

- Doors and body made of 14 gauge steel
- Convenient studs provided on center section for bonding and grounding
- Rack angles tapped 10-32 per EIA standards; made of 12 gauge self-grounding plated steel
- Window is clear, .25 in., scratch and impact resistant safety glass
- Optional polycarbonate window (not plenum rated) can be field- or factory-installed. Contact Hoffman Customer Service for factory installation.
- Twenty 10-32 screws included

Finish

Phosphatized steel coated with RAL 7035 light gray textured, low gloss polyester powder paint. Other finishes available – contact Hoffman Customer Service.

Industry Standards

UL 508A, 508, File Number E619967: Type 4 or 12
cUL CSA 22.2, No. 94, File Number E61997: Type 4 or 12
NEMA/EEMAC: Type 4 or 12
IEC 60529, IP66 or IP55

Load Rating

Height	Rating
16.00 in.	100 lb (45.4 kg)
20.00 in.	100 lb (45.4 kg)
24.00 in.	100 lb (45.4 kg)
36.00 in.	125 lb (56.7kg)
48.00 in.	175 lb (79.4 kg)

Accessories

See the tables on pages 3 and 4.

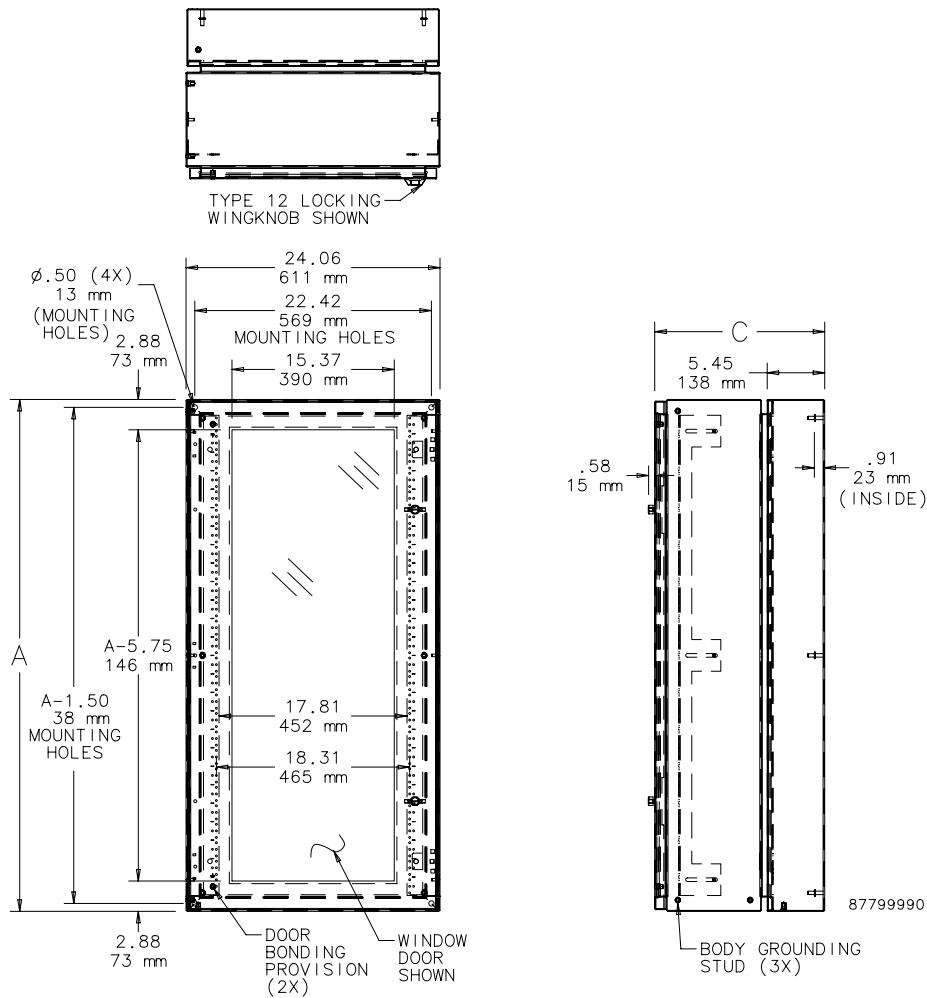
Latch Detail



ProTek™ DH Type 4 or 12 Double-Hinged Wall-Mount Cabinet

Standard Sizes DataCom ProTek™ Type 4 or 12 Double-Hinged Wall-Mount Cabinets

Catalog Number			Nominal Size in.	Rack Units	A		C		Panel	
Solid Door, Type 4, P66	Solid Door, Type 12, IP55	Window Door, Type 12, IP55			mm	in.	mm	in.	Accessory	Standard
PTDHS162415G4	PTDHS162415G	PTDHW162415G	16.00 x 24.00 x 15.00	7	406	15.98	380	14.96	PTPDH1624A	A24P16
PTDHS202415G4	PTDHS202415G	PTDHW202415G	20.00 x 24.00 x 15.00	10	508	20.00	380	14.96	PTPDH2024A	A24P20
PTDHS242415G4	PTDHS242415G	PTDHW242415G	24.00 x 24.00 x 15.00	12	610	24.02	380	14.96	PTPDH2424A	A24P24
PTDHS362415G4	PTDHS362415G	PTDHW362415G	36.00 x 24.00 x 15.00	19	914	35.98	380	14.96	PTPDH3624A	A36P24
PTDHS482415G4	PTDHS482415G	PTDHW482415G	48.00 x 24.00 x 15.00	26	1219	47.99	380	14.96	PTPDH4824A	A48P24
PTDHS242424G4	PTDHS242424G	PTDHW242424G	24.00 x 24.00 x 24.00	12	610	24.02	610	24.02	PTPDH2424A	A24P24
PTDHS362424G4	PTDHS362424G	PTDHW362424G	36.00 x 24.00 x 24.00	19	914	35.98	610	24.02	PTPDH3624A	A36P24
PTDHS482424G4	PTDHS482424G	PTDHW482424G	48.00 x 24.00 x 24.00	26	1219	47.99	610	24.02	PTPDH4824A	A48P24



Optional Components

Rack Angles

Catalog Number		Fits Cabinet Height in.	Rack Units
Tapped Holes	Square Holes		
PTRA1916TPL	PTRA1916THL	16.00	7
PTRA1920TPL	PTRA1920THL	20.00	10
PTRA1924TPL	PTRA1924THL	24.00	12
PTRA1936TPL	PTRA1936THL	36.00	19
PTRA1948TPL	PTRA1948THL	48.00	26

Polycarbonate Window Inserts

Polycarbonate window inserts provide additional impact protection. They are field-installed in place of the safety glass provided with the enclosure. No special tools are required.

Catalog Number	Fits Cabinet Size (in.)	Description
PTWR1624POLY	16.00 x 20.00	Clear, 0.23 in. thick
PTWR2024POLY	20.00 x 24.00	Clear, 0.23 in. thick
PTWR2424POLY	24.00 x 24.00	Clear, 0.23 in. thick
PTWR3624POLY	36.00 x 24.00	Clear, 0.23 in. thick
PTWR4824POLY	48.00 x 24.00	Clear, 0.23 in. thick

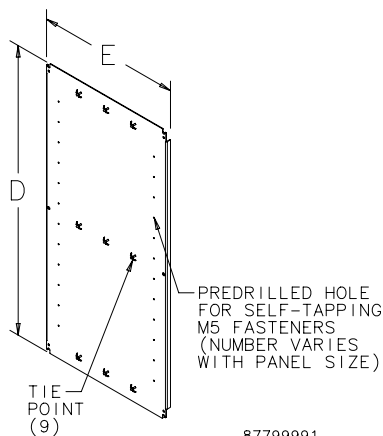
Fastener Packages

Fastener Name	Catalog Number	Square Hole	Tapped Hole
Cage Nut Package. 12-24 Qty 20	P1224CN	•	
Cage Nut Package. 12-24 Qty 250	P1224CN250	•	
Cage Nut Package. 10-32 Qty 20	P1032CN	•	
Cage Nut Package. 10-32 Qty 250	P1032CN250	•	
Cage Nut Package. M5 Qty 20	PM5CN	•	
Cage Nut Package. M6 Qty 20	PM6CN	•	
Screw Package. 10-32 Qty 20	AS1032	•	•
Screw Package. 10-32 Qty 250	AS1032250	•	•
Screw Package. 12-24 Qty 20	ES1224	•	
Screw Package. 12-24 Qty 250	ES1224250	•	
Screw Package. 12-24 Qty 20 Black	ES1224B	•	
Screw Package. 12-24 Qty 250 Black	ES1224B250	•	
Screw Package. M5 Qty 20	ASM5	•	
Screw Package. M6 Qty 20	ASM6	•	

Accessory Panels

Where equipment mounting space is limited, Accessory Panels increase cabinet capacity by providing a mounting surface for 19 in. equipment and accessories at the back of the cabinet. The panels mount on collar studs provided in the cabinet. They include tie downs for Velcro™ Cable Wraps and mounting holes for rack angle brackets, shelves, and other accessories as listed in the Accessories table on page 4. Panels have white paint finish.

Catalog Number	Material	D		E		Fits Cabinet Size in.
		in.	mm	in.	mm	
PTPDH1624A	12 gauge steel	21.00	533	13.00	330	16.00 x 24.00
PTPDH2024A	12 gauge steel	21.00	533	17.00	432	20.00 x 24.00
PTPDH2424A	12 gauge steel	21.00	533	21.00	533	24.00 x 24.00
PTPDH3624A	12 gauge steel	33.00	838	21.00	533	36.00 x 24.00
PTPDH4824A	12 gauge steel	45.00	1143	21.00	533	48.00 x 24.00



ProTek™ DH Type 4 or 12 Double-Hinged Wall-Mount Cabinet

Selected Accessories

See the Accessories chapter in the DataCom catalog for accessory specifications.

Accessory Name	Catalog Number
Air Conditioner ^a	
110/115V	T150116G120
220/230V	T150126G120
Cable Management	See DataCom Catalog
Ground/Bonding Kit	DBGRDK
Fan Packages, Cooling and Exhaust (Type 1 and Type 12)	TFP Series, see DataCom Catalog
Handle, Padlocking L- Type	ELHP
Handle, Padlocking Quarter Turn with key	EPL4
Knob, Locking Wing, with 2 keys, Type 12	
Silver finish	DL36
Black finish	PTL36B
Knob, Locking Handle, with 3-digit combination	PTLCMB3B
Mounting Feet, external	
Steel	CMFK
Stainless Steel	CMFKSS
Composite	CMTGFT
Panels, blank	
1 RU, black	P19RPP1UB
2 RU, black	P19RPP2UB
3 RU, black	P19RPP3UB
4 RU, black	P19RPP4UB
Pole Mounting Kit	CPMK24
Power Strips	See DataCom Catalog
Strut Mounting Kit	DB24WMTK
Velcro Cable Wrap, black, 8 in., with self-tapping machine screw fastener	ECWTD8D
Velcro Cable Wrap, black, 12 in., with self-tapping machine screw fastener	ECWTD12D
Use the following accessories with the Accessory Panels	
Rack Angle Brackets	
4U	DBERA4U
6U	DBERA6U
Patch Panel Rack Angles	DBPRA4U
Shelf	
8 in.	DBSHELF8
12 in.	DBSHELF12
Shelves, 19 in.	See DataCom Catalog
Spools	
Standard	PSP00LS
4 in.	P4SP00LS

Velcro™ is a trademark of Velcro Industries B.V.

^aField cutout required for air conditioner; instructions provided with air conditioner. For factory modification contact Customer Service.