
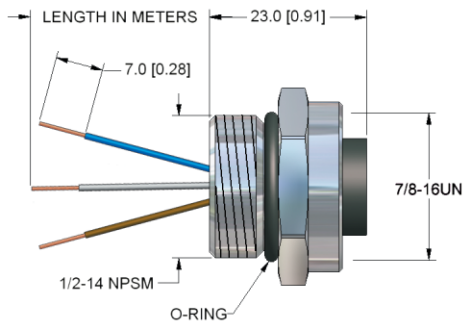


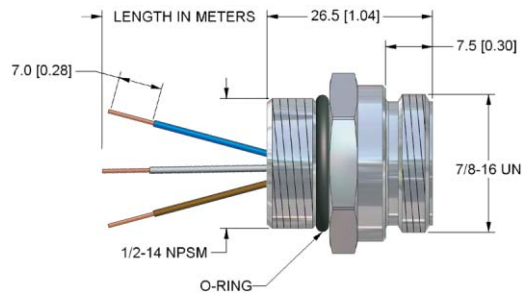
## Panel Mount Receptacles - minifast®, eurofast®

	leads	Selection Guide	Female	Male
		minifast®	RKFV 48 - *M	RSFV 48 - *M
	cable	minifast®	RKFV 483 - *M	RSFV 483 - *M
		eurofast®	FKV 483 - *M	FSV 483 - *M

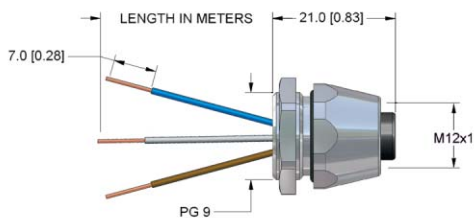
**RKFV 48 - \*M**



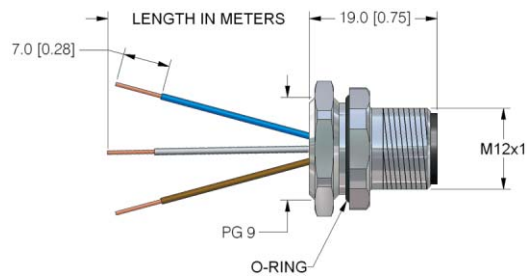
**RSFV 48 - \*M**



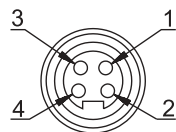
**FKV 48 - \*M**



**FSV 48 - \*M**



**Female**



1. Brown (+ Voltage)
2. N/C
3. Blue (- Voltage)
4. Bare (Shield Drain Wire)

**eurofast®**

