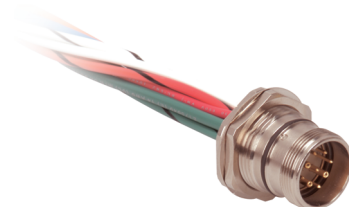


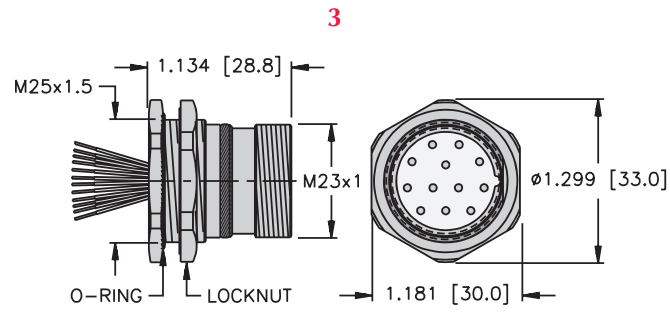
**12 and 19-Pin multifast® Receptacles, Rear Mount, M23 Thread**

- Male Receptacles
- For use with Junction Box Home Run Cables
- IEC IP 67 Protection



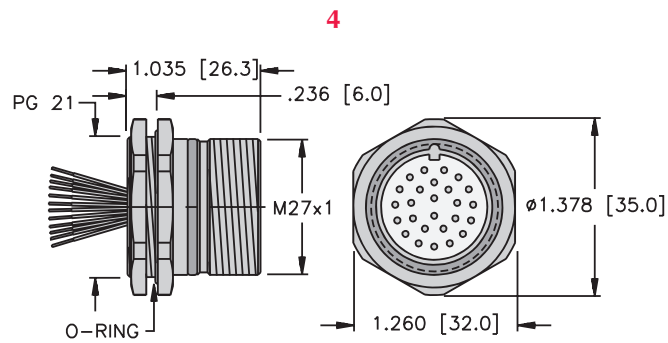
Housing Style	Part Number	Lead Specs.	Application	Pinout	
	CSFD 12-7-*	UL Nickel Plated Brass 7x18 AWG 105° C 300 V, 8 A	4-port, 1 Signal per port	1. BN 7. YE 3. BU 8. GY 4. WH 12. GN/YE 6. GN	
	CSFD 12-9-*	UL Nickel Plated Brass 9x18 AWG 105° C 300 V, 8 A	6-port, 1 Signal per port	1. BN 8. GY 3. BU 9. PK 4. WH 10. RD 6. GN 12. GN/YE 7. YE	
	CSFD 12-11-*	UL Nickel Plated Brass 11x18 AWG 105° C 300 V, 8 A	8-port, 1 Signal per port	1. BN 7. GY 3. BU 8. PK 4. WH 9. RD 5. GN 10. BK 6. YE 11. VT 12. GN/YE	
	CSFD 12-12-*	UL Nickel Plated Brass 12x18 AWG 105° C 300 V, 8 A	8-port, 1 Signal per port	1. BN 7. GY 2. OG 8. PK 3. BU 9. RD 4. WH 10. BK 5. GN 11. VT 6. YE 12. GN/YE	
	CSFD 12-12-*/S817	UL Nickel Plated Brass 12x18 AWG 105° C 300 V, 8 A	Jacketed Cable, 8-port, 1 Signal per port	1. BN 7. GY 2. BU 8. PK 3. WH 9. RD 4. GN/YE 10. BN/WH 5. OG 11. BU/WH 6. YE 12. GN/WH	
	CSFD 19-11-*	UL Nickel Plated Brass 3x18, 8x22 AWG 105° C 150 V, 9 A (pins 6, 12,19), 2 A (all others)	4-port, 2 Signals per port	3. GY 12. GN/YE 4. RD/BU 14. BN/GN 5. GN 15. WH 6. BU 16. YE 7. GY/PK 19. BN 8. WH/GN	
	CSFD 19-15-*	UL Nickel Plated Brass 3x18, 12x22 AWG 105° C 150 V 9 A (pins 6, 12,19), 2 A (all others)	6-port, 2 Signals per port	2. RD 9. WH/YE 3. GY 12. GN/YE 4. RD/BU 13. YE/BN 5. GN 14. BN/GN 6. BU 15. WH 7. GY/PK 16. YE 8. WH/GN 17. PK 19. BN	
	CSFD 19-19-*	UL Nickel Plated Brass 3x18, 16x22 AWG 105° C 150 V 9 A (pins 6, 12,19), 2 A (all others)	8-port, 2 Signals per port	1. VT 11. BK 2. RD 12. GN/YE 3. GY 13. YE/BN 4. RD/BU 14. BN/GN 5. GN 15. WH 6. BU 16. YE 7. GY/PK 17. PK 8. WH/GN 18. GY/BN 9. WH/YE 19. BN 10. WH/GY	

See page H48 for dimensional drawings.  
To specify PVC jacketed cable, add "/S717" to the end of the part number.



CS(K)FD

Page H57 - H64



DKF

Page H65 - H66